



build WITH
FERGUSON

noah parker
1045 Kahili Pl
Kailua, HI 96734

October 1st, 2021
PROJECT NAME
Iwamoto



Delta T27867-SS

Ara 17 Series Pressure Balanced Valve Trim with Integrated Volume Control and 3 Function Diverter for Two Shower

Qty: 1



Delta R22000-WS

Multichoice Shower Only Universal Rough In with Three Port Diverter and Stops - No Tub Outlet

Qty: 2



Delta 55530-SS

1.75 GPM Vero 1-3/8" Wide Hand Shower Package - Includes Hand Shower, Holder, Hose, and Limited Lifetime Warranty

Qty: 1



Delta 50570-SS

Square Wall Supply Elbow for Hand Shower Hose Connection

Qty: 1



Delta RP46870SS

16" Wall Mounted Shower Arm Only - Less Shower Arm Flange

Qty: 1



Delta 52161-SS

Universal Showering Components 1.75 GPM Single Function Rain Shower Head with Touch-Clean and H2Okinetic Technology

Qty: 1



Delta RP51034SS

Square Shower Arm Flange

Qty: 1



Delta 553LF-SS

Vero Single Hole Bathroom Faucet with Pop-Up Drain Assembly - Includes Lifetime Warranty

Qty: 2



Kohler K-837-0

Bellwether 60" Alcove Soaking Tub with Left Drain

Qty: 1



Kohler K-37383-NA

PureFlo 30" Cable Drain Rough In, with PVC Tubing

Qty: 1



Kohler K-97089-BN

Pitch 6" Integrated Diverter Tub Spout

Qty: 1



Delta RP46870SS

16" Wall Mounted Shower Arm Only - Less Shower Arm Flange

Qty: 1



Delta RP51034SS

Square Shower Arm Flange

Qty: 1



Delta 52161-SS

Universal Showering Components 1.75 GPM Single Function Rain Shower Head with Touch-Clean and H2Ok kinetic Technology

Qty: 1



Delta 57530-SS

1.75 GPM Vero Hand Shower Package - Includes Hand Shower, Slide Bar, Hose, and Limited Lifetime Warranty

Qty: 1



Delta 50570-SS

Square Wall Supply Elbow for Hand Shower Hose Connection

Qty: 2



Delta T27867-SS

Ara 17 Series Pressure Balanced Valve Trim with Integrated Volume Control and 3 Function Diverter for Two Shower

Qty: 1



Delta R22000-WS

Multichoice Shower Only Universal Rough In with Three Port Diverter and Stops - No Tub Outlet

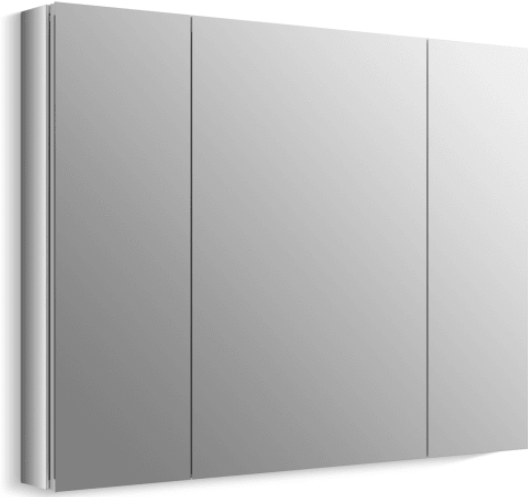
Qty: 2



Delta 3553LF-SS

Vero Widespread Bathroom Faucet with Pop-Up Drain Assembly - Includes Lifetime Warranty

Qty: 1



Kohler K-99010-NA

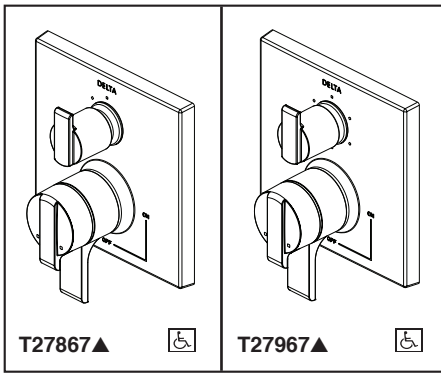
Verdera 40"w x 30"h Triple Door Medicine Cabinet with Triple Mirror Design

Qty: 1

Specification Sheet for Product:

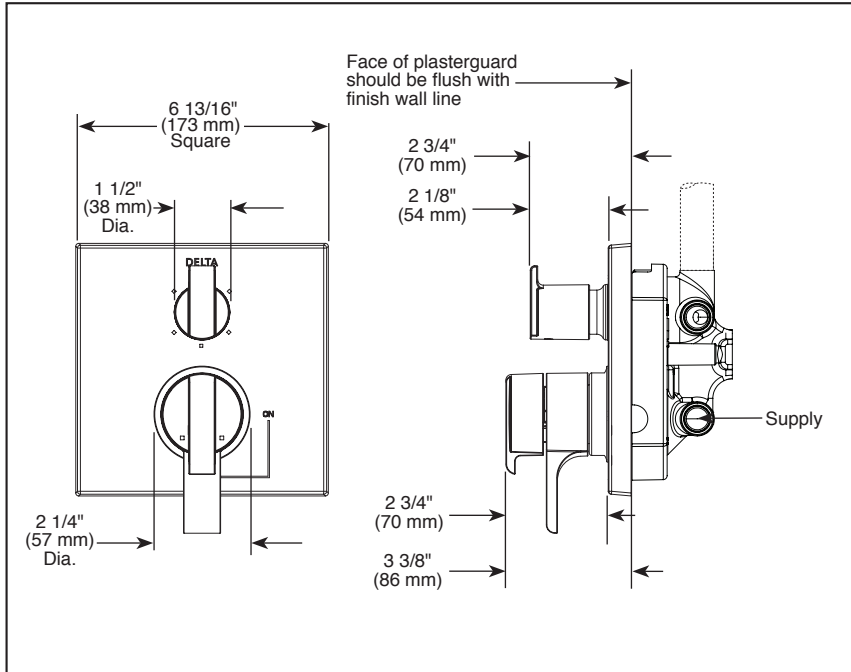
Delta T27867-SS

**Brilliance Stainless Ara 17 Series Pressure Balanced Valve Trim
with Integrated Volume Control and 3 Function Diverter for Two
Shower Applications - Less Rough-In**



Submitted Model No.: _____

Specific Features: _____



▲ Designate Proper Finish Suffix



INTEGRATED SHOWER

DIVERTER TRIM

- Angular Modern Valve Trim with Three Function Diverter (T27867)
- Angular Modern Valve Trim with Six Function Diverter (T27967)
- Three Lever Handles

FEATURES:

- Monitor® 17 Series pressure balanced dual function bath mixing valve trim
- Three or six function diverter

STANDARD SPECIFICATIONS:

- Main control utilizes dual-function pressure balanced cartridge
- Maintains a balanced pressure of hot and cold water even when a valve is turned on or off elsewhere in the system
- For use with MultiChoice® Universal rough valve body (R22000 Series)
- Top handle controls diverter functions
- Bottom handle controls on/off and adjusts volume; dial controls temperature
- Field adjustable to limit handle rotation into hot water zone
- Bottom handle 90° Maximum rotation
- Red/Blue indicator markings
- Three function diverter for 2 individual positions, 1 shared position
- For two individual functions, no shared functions, order additional RP71717
- Six function diverter for 3 individual positions, 3 shared positions
- For three individual functions, no shared functions, order additional RP71718
- Cartridges included
- Standard installation allows up to 1 1/8" finished wall thickness
- Thick wall installation kit (RP90543▲) can be ordered to allow for up to 2 1/8" finished wall thickness
- Not recommended for tub spout applications

WARRANTY

- Lifetime limited warranty on parts (other than electronic parts and batteries) and finishes: or, for commercial users, for 5 years from date of purchase.
- 5 year limited warranty on electronic parts (other than batteries); or, for commercial users, for 1 year from the date of purchase. No warranty is provided on batteries.

COMPLIES WITH:

- ASME A112.18.1 / CSA B125.1
- Indicates compliance to ICC/ANSI A117.1

Maximum Flow Rate Guide

Rough	Cartridge	Outlet	40 psi	60 psi	80 psi
R22000	17S	Shower	4.7 gpm	5.8 gpm	6.7 gpm
R22000-WS	17S	Shower	4.4 gpm	5.4 gpm	6.3 gpm

Based on 6 Setting Diverter



55 E 11th Street, Indianapolis, Indiana 46280
 350 South Edgeware Road, St. Thomas, ON N5P 4L1
 © 2016 Masco Corporation of Indiana

Delta reserves the right (1) to make changes in specifications and materials, and (2) to change or discontinue models, both without notice or obligation. Dimensions are for reference only. See current full-line price book or www.deltafaucet.com for finish options and product availability.

DSP-B-T27867 Rev. C

Specification Sheet for Product:

Delta 55530-SS

**Brilliance Stainless 1.75 GPM Vero 1-3/8" Wide Hand Shower
Package - Includes Hand Shower, Holder, Hose, and Limited
Lifetime Warranty**



see what Delta can do™

PERSONAL HAND HELD SHOWERS

- **Vero® Bath Collection**
- **Hand Shower with Full Spray Pattern and Touch Clean Nubs**

STANDARD SPECIFICATIONS:

- Max. 1.75 gpm @ 80 psi, 6.6 L/min @ 550 kPa
- 60"-82" (1524 mm - 2083 mm) stretchable metal hose
- Certified dual check valves for backflow protection
- 24" (610 mm) wall bar with adjustable slide (allows for adjustable shower height) - 57530 only. Not to be used as a Grab Bar. Not ADA compliant
- Wall mount bracket - 55530 only

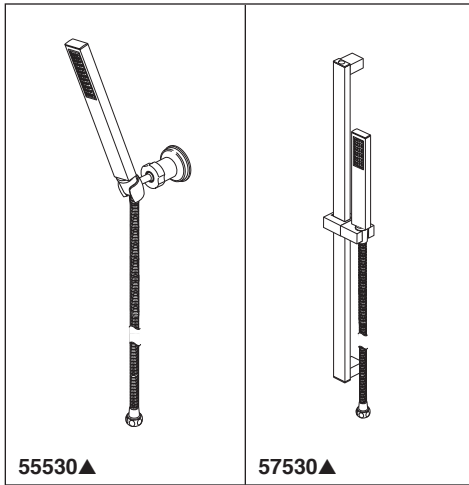
WARRANTY

- Lifetime limited warranty on parts (other than electronic parts and batteries) and finishes; or, for commercial users, for 5 years from date of purchase.
- 5 year limited warranty on electronic parts (other than batteries); or, for commercial users, for 1 year from the date of purchase. No warranty is provided on batteries.

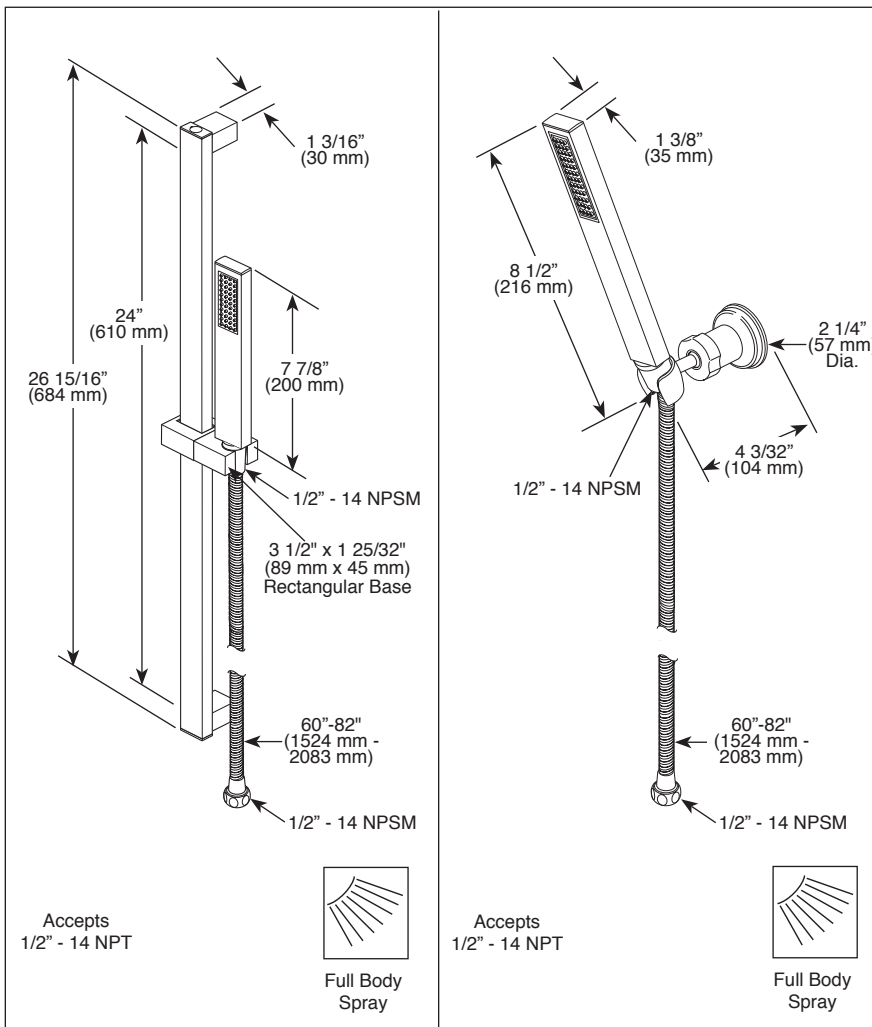


COMPLIES WITH:

- ASME A112.18.1 / CSA B125.1 ◆
- EPA WaterSense®



Submitted Model No.: _____
 Specific Features: _____



▲ Designate proper finish suffix

- ◆ Your Delta Faucet hand shower incorporates a backflow protection system that has been tested to be in compliance with ASME A112.18.3, CSA B125.1 and ASME A112.18.1. It incorporates two certified check valves in series, which operate independently and are integral, non-serviceable parts of the wand assembly.

Delta reserves the right (1) to make changes in specifications and materials, and (2) to change or discontinue models, both without notice or obligation. Dimensions are for reference only. See current full-line price book or www.deltafaucet.com for finish options and product availability.

DSP-B-55530 Rev. E

Delta Faucet Company

55 E. 111th Street, Indianapolis, IN 46280
 350 South Edgeware Road, St. Thomas, ON N5P 4L1
 © 2017 Delta Faucet Company

Specification Sheet for Product:

Delta 52161-SS

Brilliance Stainless Universal Showering Components 1.75 GPM

Single Function Rain Shower Head with Touch-Clean and

H2Okinetic Technology



see what Delta can do™

SHOWER HEAD

■ H₂Okinetic® Shower Head

FEATURES:

- Touch-Clean® Nozzles
- H₂Okinetic® UltraSoak™ Spray

STANDARD SPECIFICATIONS

- Max flow rate 1.75 gpm at 80 psi, 6.6 L/min @ 550 kPa (52161-▲)
- Max flow rate 2.5 gpm at 80 psi, 9.5 L/min @ 550 kPa (52161-▲25)
- Ball connector swivel angle is 44° (22° per side)
- Metal ball connector for durability, easy installation
- Standard 1/2"-14 NPT pipe fitting

WARRANTY

- Parts and Finish - Lifetime limited warranty; or for commercial purchasers, 10 years for multi-family residential (apartments and condominiums) and 5 years for all other commercial uses, in each case from the date of purchase.
- Electronic Parts and Batteries (if applicable) - 5 years from the date of purchase; or for commercial purchasers, 1 year from the date of purchase. No warranty is provided on batteries.



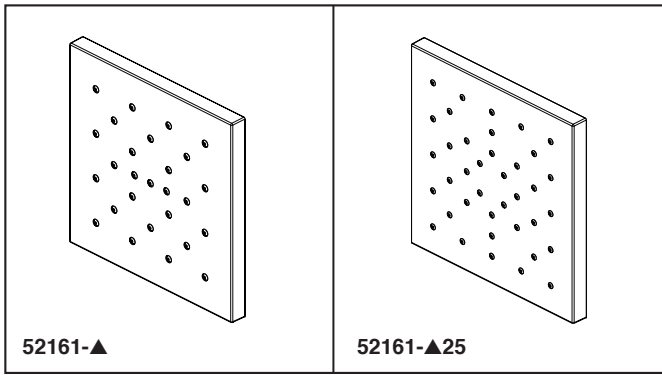
COMPLIES WITH:

- ASME A112.18.1 / CSA B125.1
- EPA WaterSense® - applies to 52161-▲ only

Spray Patterns

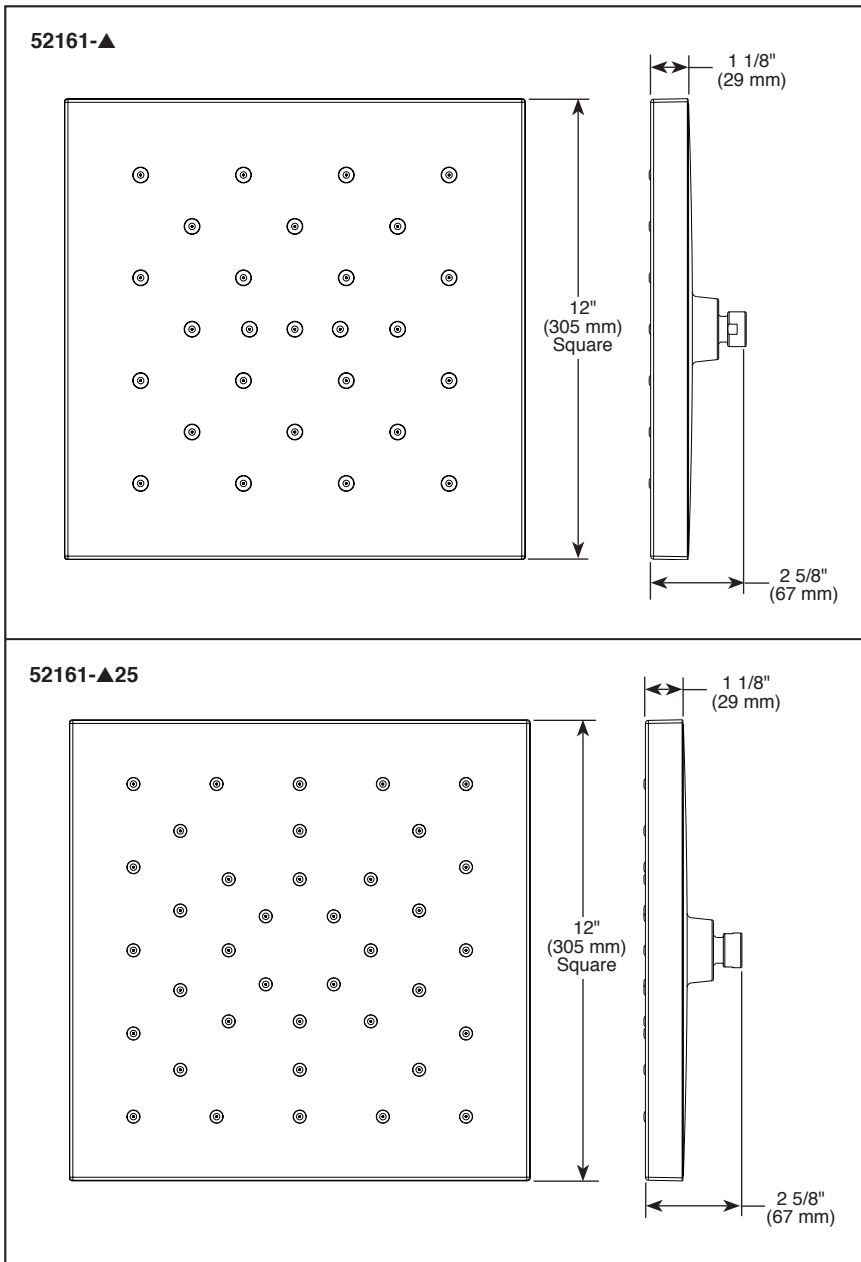


H₂Okinetic®
UltraSoak™ Spray



Submitted Model No.: _____

Specific Features: _____



▲ Designate proper finish suffix

Delta reserves the right (1) to make changes in specifications and materials, and (2) to change or discontinue models, both without notice or obligation. Dimensions are for reference only. See current full-line price book or www.deltafaucet.com for finish options and product availability.

DSP-B-52161 Rev. A

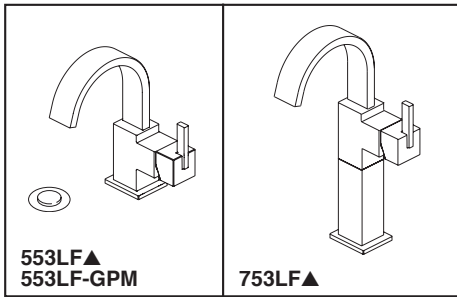
Delta Faucet Company

55 E. 111th Street, Indianapolis, IN 46280
350 South Edgware Road, St. Thomas, ON N5P 4L1
© 2020 Delta Faucet Company

Specification Sheet for Product:

Delta 553LF-SS

**Brilliance Stainless Vero Single Hole Bathroom Faucet with
Pop-Up Drain Assembly - Includes Lifetime Warranty**

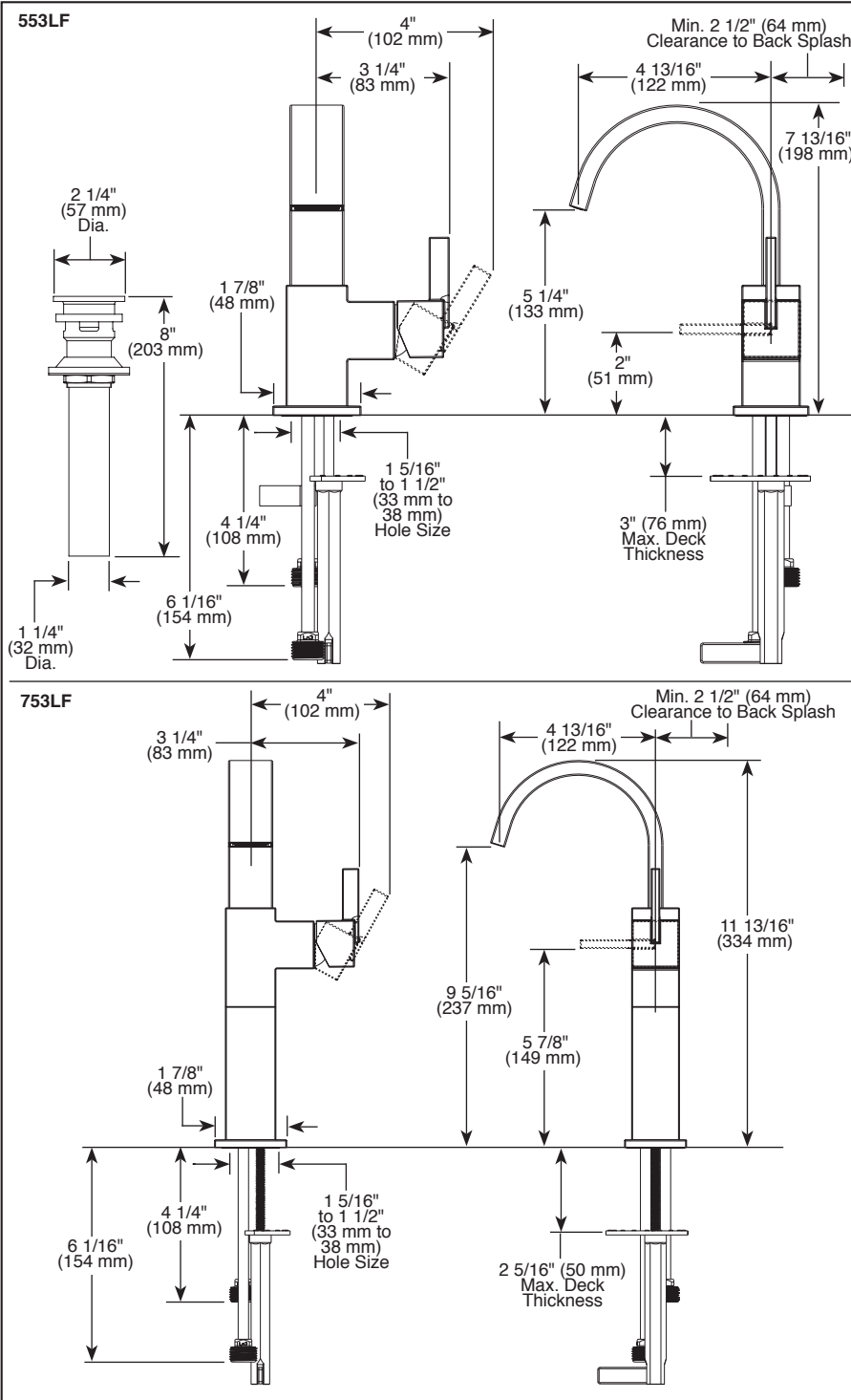


553LF▲
553LF-GPM

753LF▲

Submitted Model No.: _____

Specific Features: _____



▲ Designate Proper Finish Suffix

Delta reserves the right (1) to make changes in specifications and materials, and (2) to change or discontinue models, both without notice or obligation. Dimensions are for reference only. See current full-line price book or www.deltafaucet.com for finish options and product availability.

DSP-L-553LF Rev. H



see what Delta can do™

BATHROOM FAUCETS

- Vero® Bath Collection
- Single Handle Deck Mount
- Single Hole Riser Model

STANDARD SPECIFICATIONS:

- Max. flow rate 1.2 gpm @ 60 psi, 4.5 L/min @ 414 kPa
- GPM indicates max 1.0 gpm @ 60 psi, 3.8 L/min @ 414 kPa
- Solid brass fabricated body
- Single hole mount
- Metal drain with pop-up type fitting with plated flange and stopper (553LF only)

WARRANTY

- Parts and Finish - Lifetime limited warranty; or for commercial purchasers, 10 years for multi-family residential (apartments and condominiums) and 5 years for all other commercial uses, in each case from the date of purchase.
- Electronic Parts and Batteries (if applicable) - 5 years from the date of purchase; or for commercial purchasers, 1 year from the date of purchase. No warranty is provided on batteries.



COMPLIES WITH:

- ASME A112.18.1 / CSA B125.1
- ASME A112.18.2 / CSA B125.2
- Indicates compliance to ICC/ANSI A117.1 - Valve control only
- EPA WaterSense® - Applies to 553LF and 753 LF only
- Verified compliant with 0.25% weighted average Pb content regulations.

Delta Faucet Company
55 E. 111th Street, Indianapolis, IN 46280
350 South Edgeware Road, St. Thomas, ON N5P 4L1
© 2021 Delta Faucet Company

Specification Sheet for Product:

Kohler K-837-0

White Bellwether 60" Alcove Soaking Tub with Left Drain

Features

- Integral flange.
- Left drain.
- Integral lumbar support.
- Integral apron.
- 60" (1524 mm) x 30-1/4" (768 mm) x 14-1/2" (368 mm)

Material

- Cast iron with Safeguard® finish.

Installation

- Alcove

Recommended Accessories

- K-37380 30" Rough-in Cable Bath Drain
- K-37383 30" Rough-in Cable Bath Drain
- K-7213 27" Cable Bath Drain
- K-7214 27" Cable Bath Drain
- K-37386 30" Rough-in Cable Bath Drain
- K-702200-G54 Frameless Sliding Bath Door
- K-702200-G73 Frameless Sliding Bath Door
- K-702200-L Frameless Sliding Bath Door
- K-702205-L Frameless Sliding Bath Door
- K-706000-D3 Frameless Sliding Bath Door
- K-706000-L Frameless Sliding Bath Door
- K-706003-L Frameless Sliding Bath Door
- K-706004-D3 Frameless Sliding Bath Door
- K-706004-L Frameless Sliding Bath Door
- K-706007-L Frameless Sliding Bath Door
- 7160-TF



ADA CSA B651 OBC

Codes/Standards






ASME A112.19.1/CSA B45.2
ASTM F462
ADA
ICC/ANSI A117.1
CSA B651
OBC

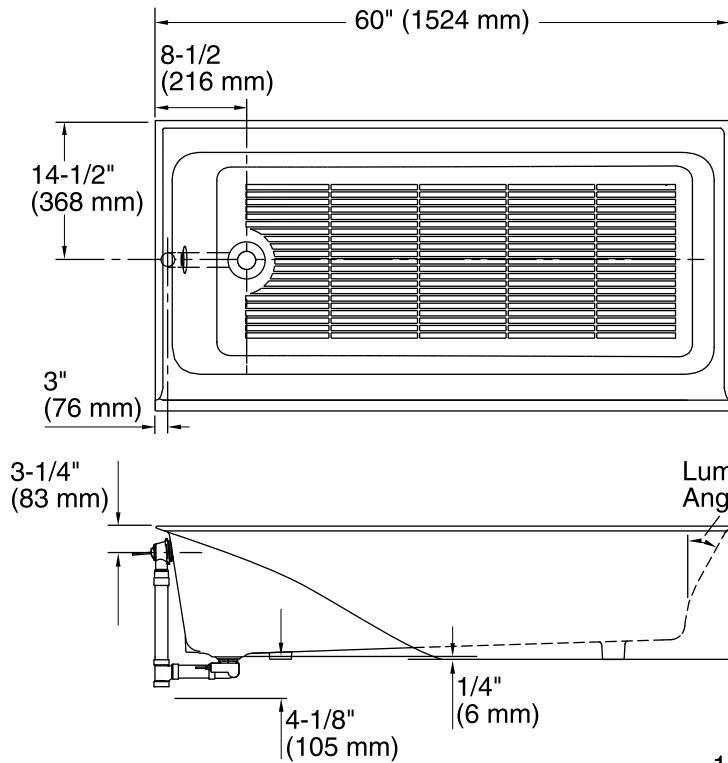
KOHLER® Lifetime Limited Warranty for Cast Iron Components

See website for detailed warranty information.

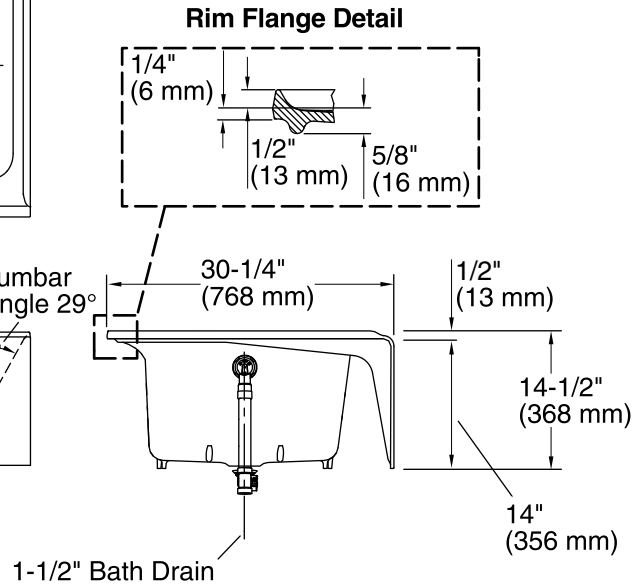
Available Color/Finishes

Color tiles intended for reference only.

Color	Code	Description
	0	White
	96	Biscuit
	47	Almond
	NY	Dune
	G9	Sandbar



No change in measurement if connected with drain illustrated. (K-37383)



Technical Information

All product dimensions are nominal.

Installation:	3-Wall Alcove
Drain location:	Left
Basin area, bottom:	48-3/4" x 19-5/16" (1238 mm x 491 mm)
Basin area, top:	54-11/16" x 21-3/16" (1389 mm x 538 mm)
Weight:	310 lbs (140.6 kg)
Minimum floor load:	52 lbs/ft ² (253.9 kg/m ²)
Water depth:	9" (229 mm)
Water capacity:	32.6 gal (123.4 L)
Minimum flat for door:	2-5/8" (66 mm)

Notes

Measure your actual product for rough-in details.

Install this product according to the installation instructions.

The hot water supply should be 70% of the capacity of the bath or greater. Installations will vary.

ADA, OBC, CSA B651 compliant when installed to the specific requirements of these regulations.

Specification Sheet for Product:

Kohler K-97089-BN

Vibrant Brushed Nickel Pitch 6" Integrated Diverter Tub Spout

Features

- 6" diverter spout with 1/2" slip-fit connection.
- KOHLER finishes resist corrosion and tarnishing.
- Coordinates with Pitch™ bath and shower trim.

Material

- Premium metal construction.

Installation

- Wall-mount.



Codes/Standards



ASME A112.18.1/CSA B125.1
California Energy Commission (CEC)

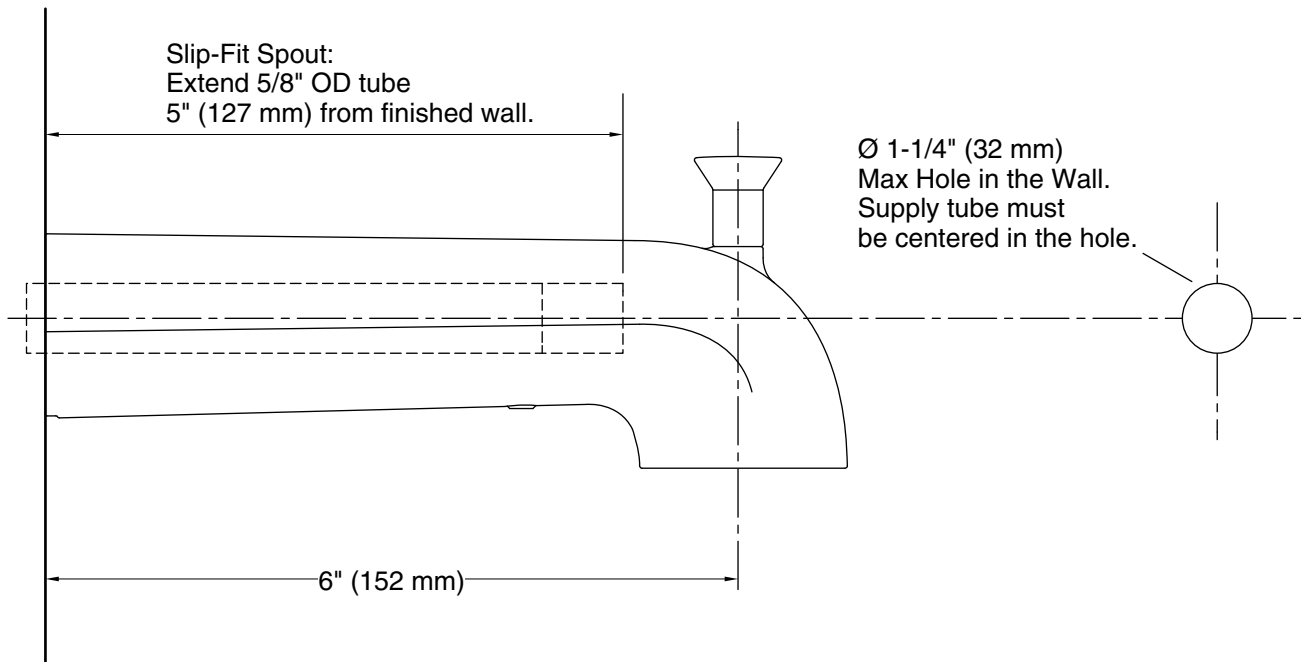
KOHLER® Faucet Lifetime Limited Warranty

See website for detailed warranty information.

Available Colors/Finishes

Color tiles intended for reference only.

Color	Code	Description
	CP	Polished Chrome
	BN	Vibrant® Brushed Nickel



Technical Information

All product dimensions are nominal.

Drain included: No

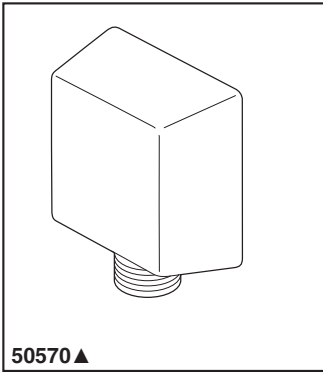
Notes

Install this product according to the installation instructions.

Specification Sheet for Product:

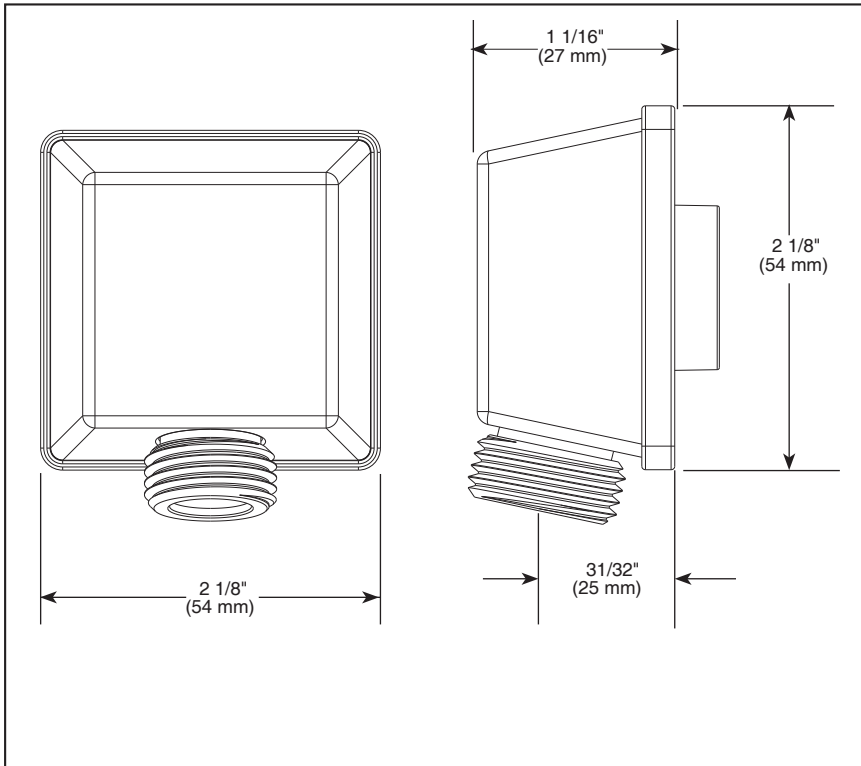
Delta 50570-SS

**Brilliance Stainless Square Wall Supply Elbow for Hand Shower
Hose Connection**



Submitted Model No.: _____

Specific Features: _____



▲ Designate proper finish suffix



ELBOW

STANDARD SPECIFICATIONS

- Solid brass construction.
- 1/2" female NPT inlet.
- 1/2" male NPSM outlet for connecting to shower hoses.

WARRANTY

- Lifetime Faucet and Finish Limited Warranty to the original consumer purchaser to be free from defects in material and workmanship.
- 5 Year Limited Warranty for usage in all industrial, commercial and business applications.

COMPLIES WITH:

- ASME A112.18.1 / CSA B125.1

Delta reserves the right (1) to make changes in specifications and materials, and (2) to change or discontinue models, both without notice or obligation. Dimensions are for reference only. See current full-line price book or www.specselect.com for finish options and product availability.

DSP-B-50570 Rev. A



55 E. 111th Street, Indianapolis, Indiana 46280
 350 South Edgeware Road, St. Thomas, ON N5P 4L1
 © 2012 Masco Corporation of Indiana

Specification Sheet for Product:

Kohler K-37383-NA

N/A PureFlo 30" Cable Drain Rough In, with PVC Tubing

Features

- For baths 14" (356 mm) to 21" (533 mm) deep from the center of the bath overflow outlet to the center of the bath drain outlet.
- 30" (762 mm) length external cable.
- Includes a tee, drain ell, and overflow ell with attached 1-1/2 OD Pipe
- Flexible overflow joint conforms to various bath angles.
- No internal linkages to minimize the potential for clogging.
- For use with any PureFlo rotary or push hand controls and pop-up drain stopper kit (sold separately).

Material

- Metal construction control handle and stopper.

Installation

- Flexible overflow neck for easy installation to fit various bath angles.
- Above- or through-the-floor installation offers installation flexibility.

Required Accessories

K-T37391 Bath Cable Drain Trim

or

K-T37392 Bath Cable Drain Trim

or

K-T37393 Bath Cable Drain Trim

or

K-T37394 Bath Cable Drain Trim

or

K-T37395 Bath Cable Drain Trim

or

K-T37396 Bath Cable Drain Trim

or

K-T37397 Cable Bath Drain Trim

Installed component/s: PVC tubing.

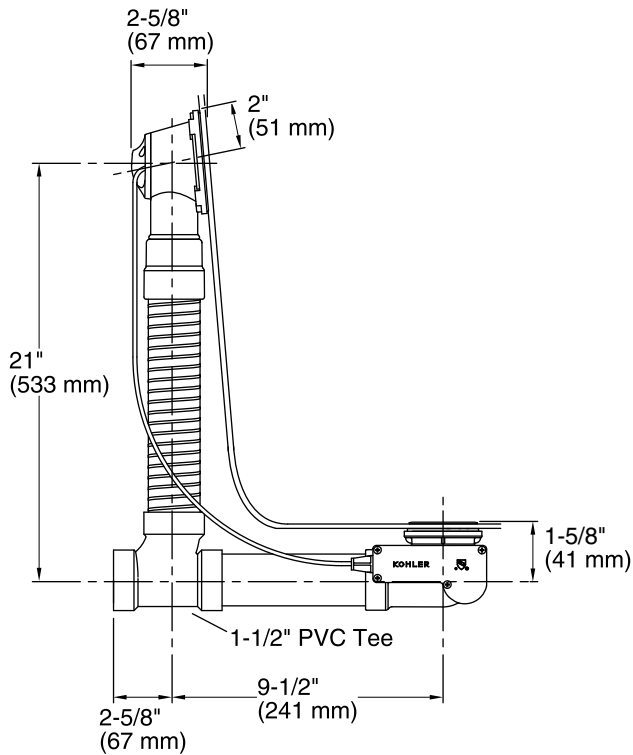


Codes/Standards

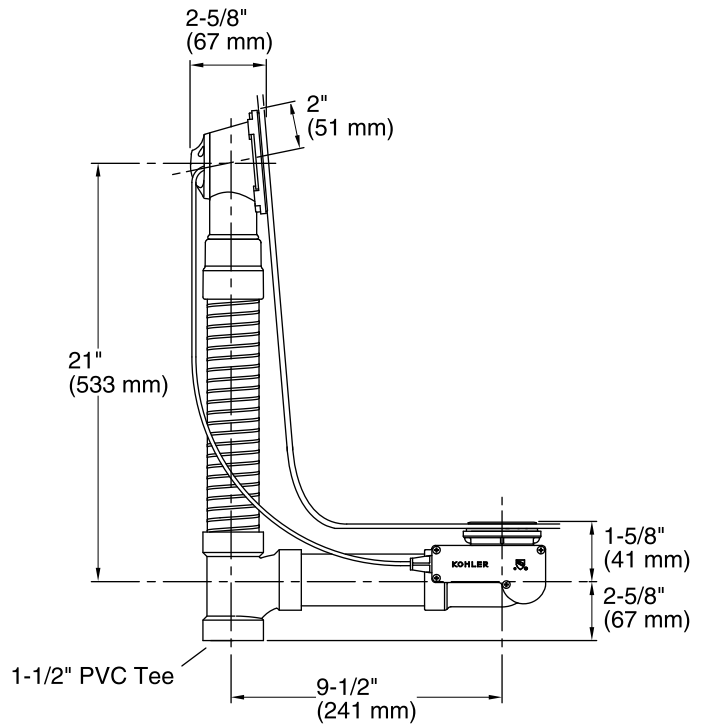
ASME A112.18.2/CSA B125.2

KOHLER® Faucet Lifetime Limited Warranty

See website for detailed warranty information.



Above-the-Floor



Through-the-Floor

Technical Information

All product dimensions are nominal.

Notes

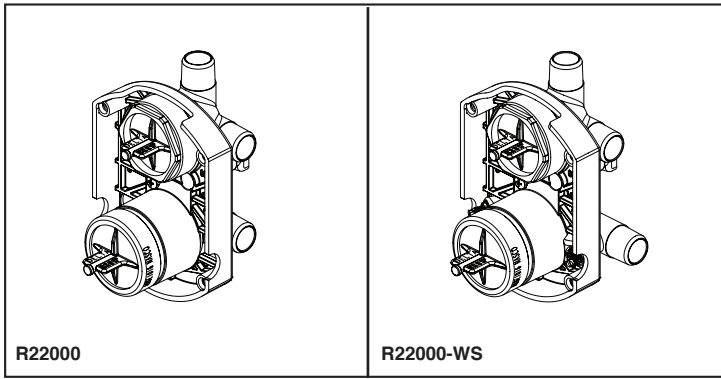
Install this product according to the installation guide.

The combined length of the vertical tubing (supplied) and horizontal tubing (not supplied) after being cut for the bath installation must be equal to or less than 25" (635 mm) for 30" (762 mm) cable bath drain.

Specification Sheet for Product:

Delta R22000-WS

**N/A Multichoice Shower Only Universal Rough In with Three Port
Diverter and Stops - No Tub Outlet**

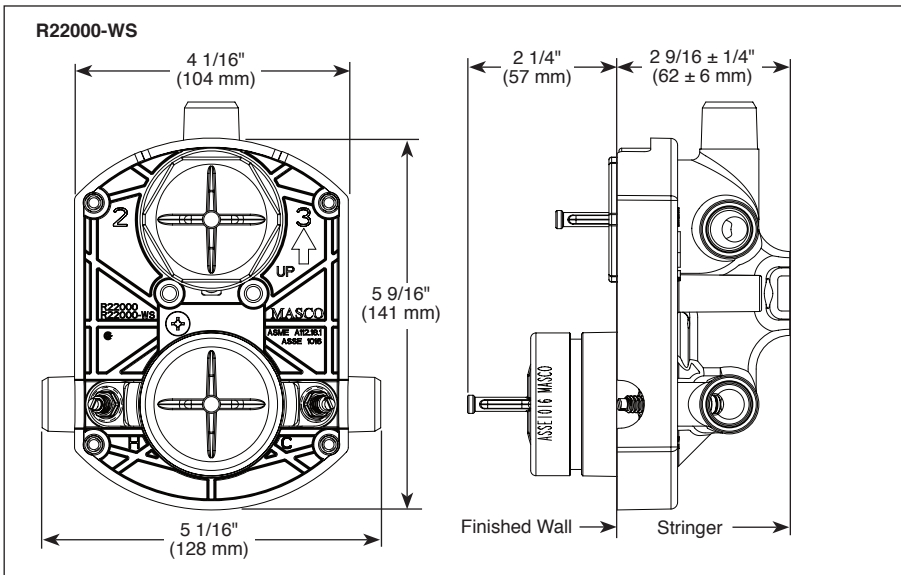
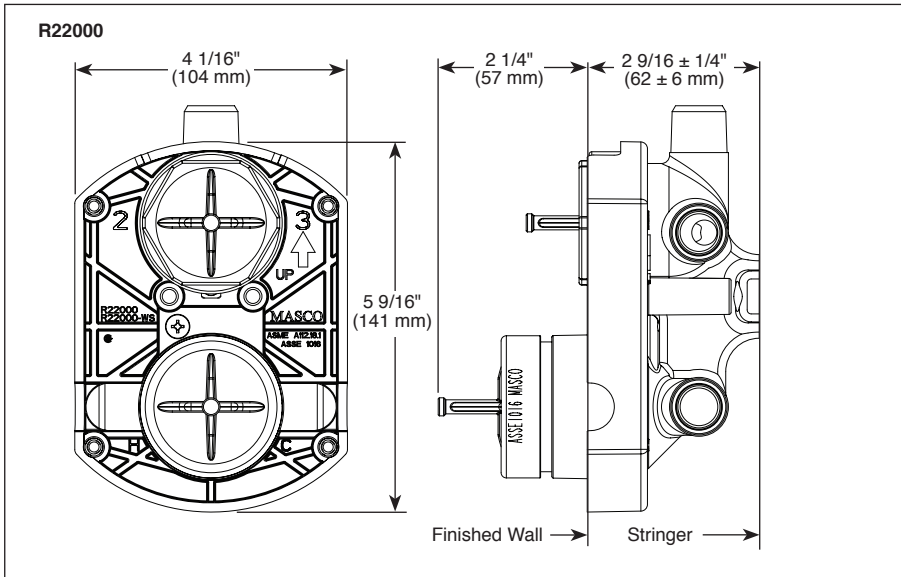


R22000

R22000-WS

Submitted Model No.: _____

Specific Features: _____



MULTICHOICE[®] UNIVERSAL INTEGRATED SHOWER DIVERTER ROUGH

- R22000 (Shower Only)
- R22000-WS (Shower Only with Stops)

STANDARD SPECIFICATIONS:

- Forged brass body
 - Back-to-Back installation capabilities
 - Three port diverter.
 - Can be tested with air (200 PSI) or water (300 PSI) without valve using supplied test cap
 - Accepts Delta (3) three or (6) six function diverter cartridges plus all MultiChoice[®] cartridges.
 - Plug provided for 3 setting diverter installation.
 - Cartridges ship with trim
 - Non-shared diverter cartridges also available (RP71717 and RP71718)
 - 1/2" outlets and connections
 - Universal type fitting and is 1/2" NPT male thread with 1/2" C.W.T. female sweat
 - Sweat onto 1/2" C.W.T. or accepts 1/2" iron pipe, PEX or CPVC adapters
 - Standard installation accommodates finished wall thickness up to 1 1/8"
 - Thick wall installation kits can be ordered to allow for up to 2 1/8" finish wall thickness (order by valve type).
 - 14 Series Monitor[®] with Diverter Trim Extension Kit available (RP90542▲)
 - 17 Series Monitor[®] with Diverter Trim Extension Kit available (RP90543▲)
 - TempAssure[®] Thermostatic with Diverter Extension Kit available (RP90544▲)
 - Not recommended for tub spout applications
- Note: No tub outlet
- Note: Should use proper fitting with each type (copper tubing, iron pipe, and pex fitting)

WARRANTY

- Lifetime limited warranty on parts (other than electronic parts and batteries) and finishes: or, for commercial users, for 5 years from date of purchase.
- 5 year limited warranty on electronic parts (other than batteries); or, for commercial users, for 1 year from the date of purchase. No warranty is provided on batteries.

COMPLIES WITH:

- ASME A112.18.1 / CSA B125.1

Maximum Flow Rate Guide					
Rough	Cartridge	Outlet	40 psi	60 psi	80 psi
R22000	13/14S	Shower	4.1 gpm	5.0 gpm	5.8 gpm
	17S	Shower	4.7 gpm	5.8 gpm	6.7 gpm
	17T	Shower	5.9 gpm	7.2 gpm	8.3 gpm
R22000-WS	13/14S	Shower	3.9 gpm	4.8 gpm	5.6 gpm
	17S	Shower	4.4 gpm	5.4 gpm	6.3 gpm
	17T	Shower	5.3 gpm	6.5 gpm	7.4 gpm

Based on 6 Setting Diverter



55 E. 111th Street, Indianapolis, Indiana 46280
350 South Edgeware Road, St. Thomas, ON N5P 4L1
© 2016 Masco Corporation of Indiana

Delta reserves the right (1) to make changes in specifications and materials, and (2) to change or discontinue models, both without notice or obligation. Dimensions are for reference only. See current full-line price book or www.deltafaucet.com for finish options and product availability.

Specification Sheet for Product:

Delta 52161-SS

Brilliance Stainless Universal Showering Components 1.75 GPM

Single Function Rain Shower Head with Touch-Clean and

H2Okinetic Technology



see what Delta can do™

SHOWER HEAD

■ H₂Okinetic® Shower Head

FEATURES:

- Touch-Clean® Nozzles
- H₂Okinetic® UltraSoak™ Spray

STANDARD SPECIFICATIONS

- Max flow rate 1.75 gpm at 80 psi, 6.6 L/min @ 550 kPa (52161-▲)
- Max flow rate 2.5 gpm at 80 psi, 9.5 L/min @ 550 kPa (52161-▲25)
- Ball connector swivel angle is 44° (22° per side)
- Metal ball connector for durability, easy installation
- Standard 1/2"-14 NPT pipe fitting

WARRANTY

- Parts and Finish - Lifetime limited warranty; or for commercial purchasers, 10 years for multi-family residential (apartments and condominiums) and 5 years for all other commercial uses, in each case from the date of purchase.
- Electronic Parts and Batteries (if applicable) - 5 years from the date of purchase; or for commercial purchasers, 1 year from the date of purchase. No warranty is provided on batteries.



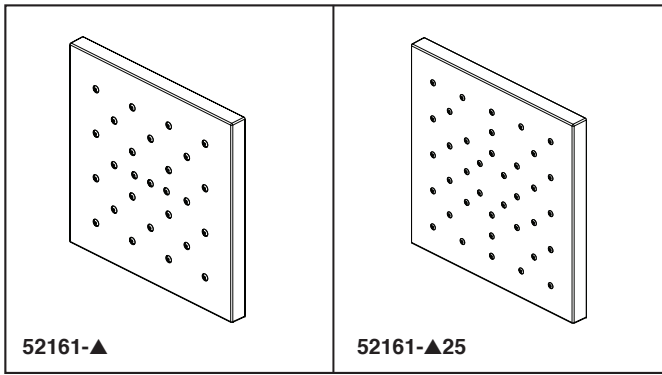
COMPLIES WITH:

- ASME A112.18.1 / CSA B125.1
- EPA WaterSense® - applies to 52161-▲ only

Spray Patterns

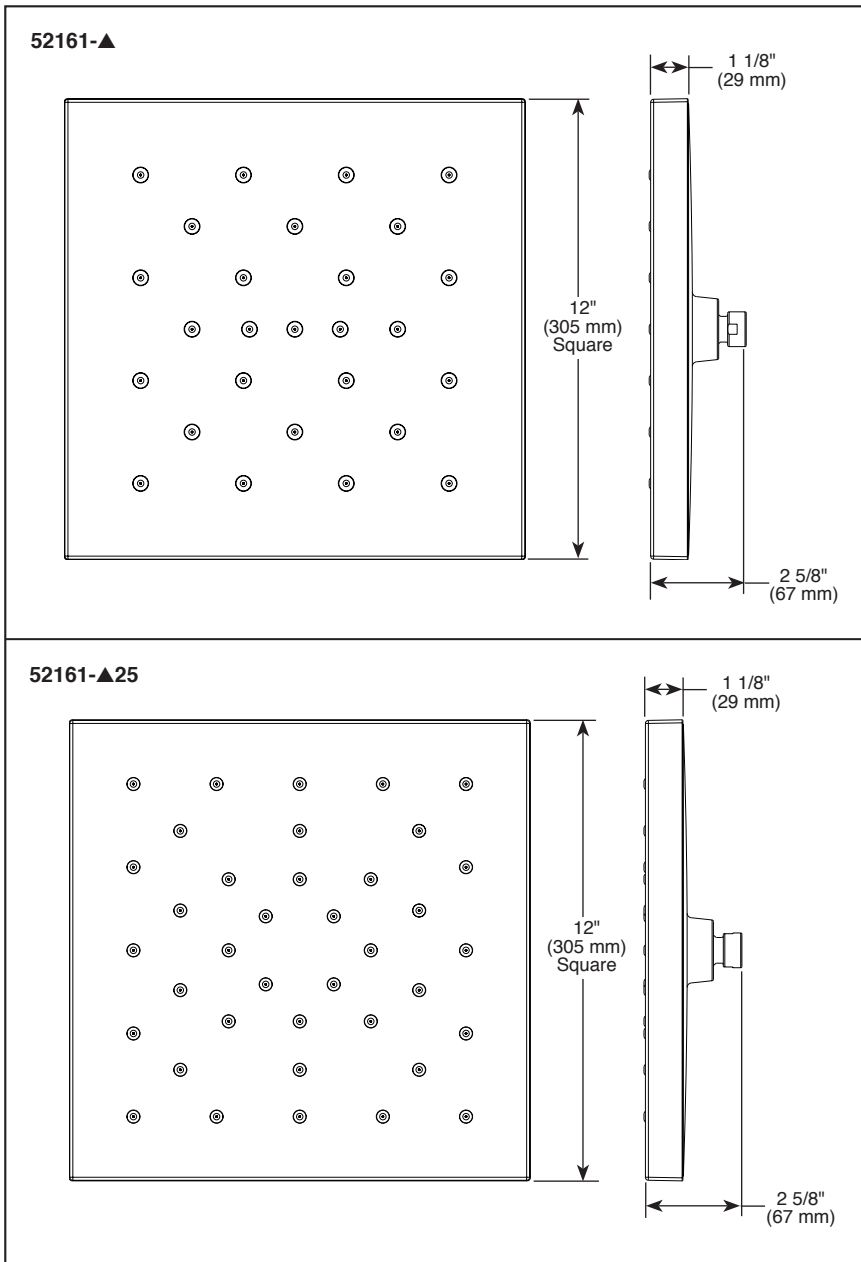


H₂Okinetic®
UltraSoak™ Spray



Submitted Model No.: _____

Specific Features: _____



▲ Designate proper finish suffix

Delta reserves the right (1) to make changes in specifications and materials, and (2) to change or discontinue models, both without notice or obligation. Dimensions are for reference only. See current full-line price book or www.deltafaucet.com for finish options and product availability.

DSP-B-52161 Rev. A

Delta Faucet Company

55 E. 111th Street, Indianapolis, IN 46280
350 South Edgeware Road, St. Thomas, ON N5P 4L1
© 2020 Delta Faucet Company

Specification Sheet for Product:

Delta 57530-SS

**Brilliance Stainless 1.75 GPM Vero Hand Shower Package -
Includes Hand Shower, Slide Bar, Hose, and Limited Lifetime
Warranty**



see what Delta can do™

PERSONAL HAND HELD SHOWERS

- **Vero® Bath Collection**
- **Hand Shower with Full Spray Pattern and Touch Clean Nubs**

STANDARD SPECIFICATIONS:

- Max. 1.75 gpm @ 80 psi, 6.6 L/min @ 550 kPa
- 60"-82" (1524 mm - 2083 mm) stretchable metal hose
- Certified dual check valves for backflow protection
- 24" (610 mm) wall bar with adjustable slide (allows for adjustable shower height) - 57530 only. Not to be used as a Grab Bar. Not ADA compliant
- Wall mount bracket - 55530 only

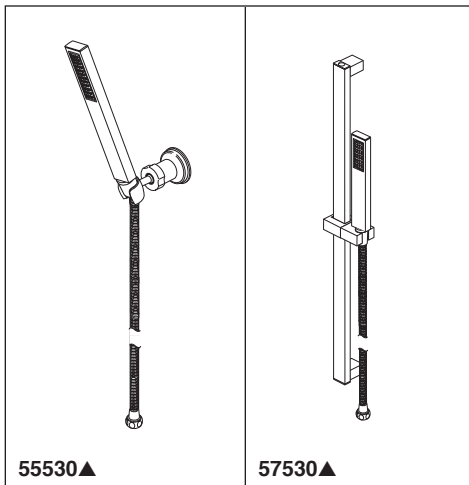
WARRANTY

- Lifetime limited warranty on parts (other than electronic parts and batteries) and finishes; or, for commercial users, for 5 years from date of purchase.
- 5 year limited warranty on electronic parts (other than batteries); or, for commercial users, for 1 year from the date of purchase. No warranty is provided on batteries.

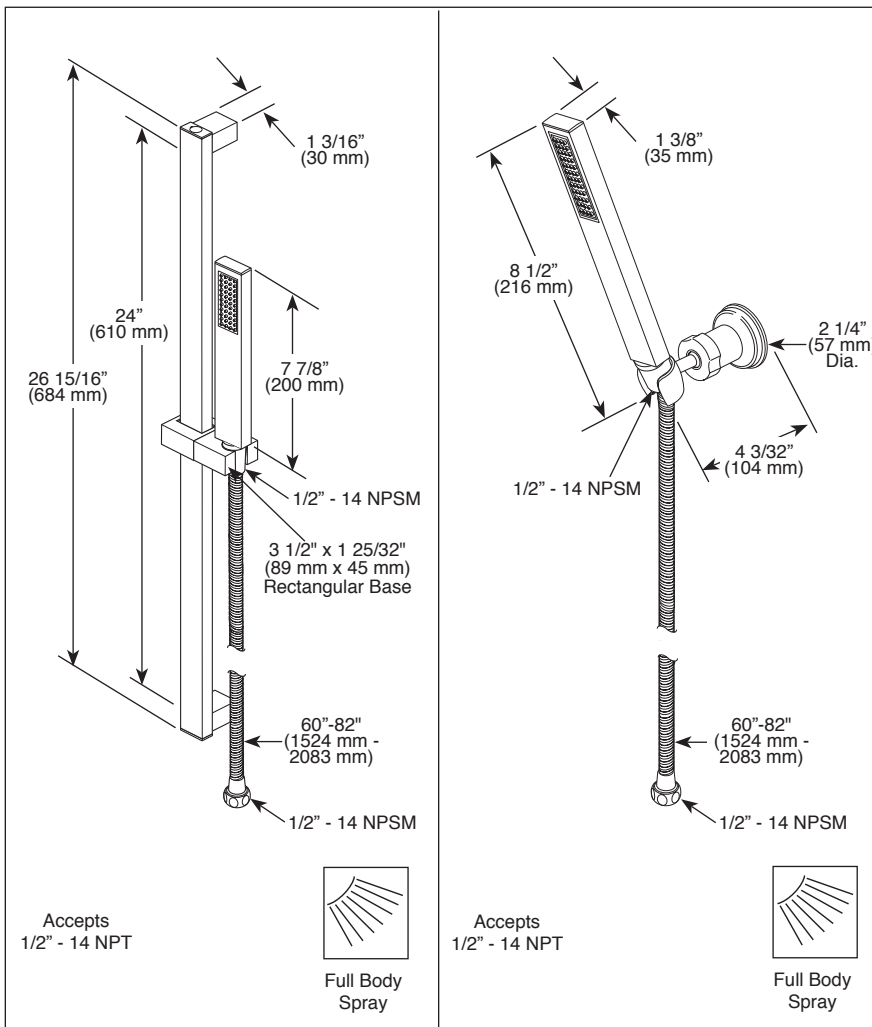


COMPLIES WITH:

- ASME A112.18.1 / CSA B125.1 ◆
- EPA WaterSense®



Submitted Model No.: _____
 Specific Features: _____



▲ Designate proper finish suffix

- ◆ Your Delta Faucet hand shower incorporates a backflow protection system that has been tested to be in compliance with ASME A112.18.3, CSA B125.1 and ASME A112.18.1. It incorporates two certified check valves in series, which operate independently and are integral, non-serviceable parts of the wand assembly.

Delta reserves the right (1) to make changes in specifications and materials, and (2) to change or discontinue models, both without notice or obligation. Dimensions are for reference only. See current full-line price book or www.deltafaucet.com for finish options and product availability.

DSP-B-55530 Rev. E

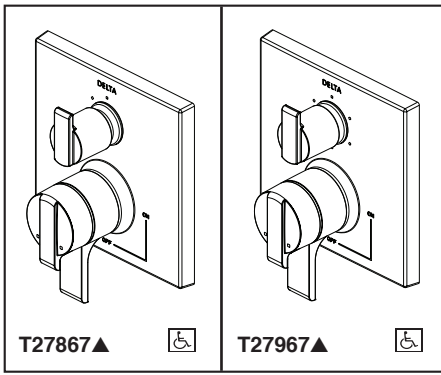
Delta Faucet Company

55 E. 111th Street, Indianapolis, IN 46280
 350 South Edgeware Road, St. Thomas, ON N5P 4L1
 © 2017 Delta Faucet Company

Specification Sheet for Product:

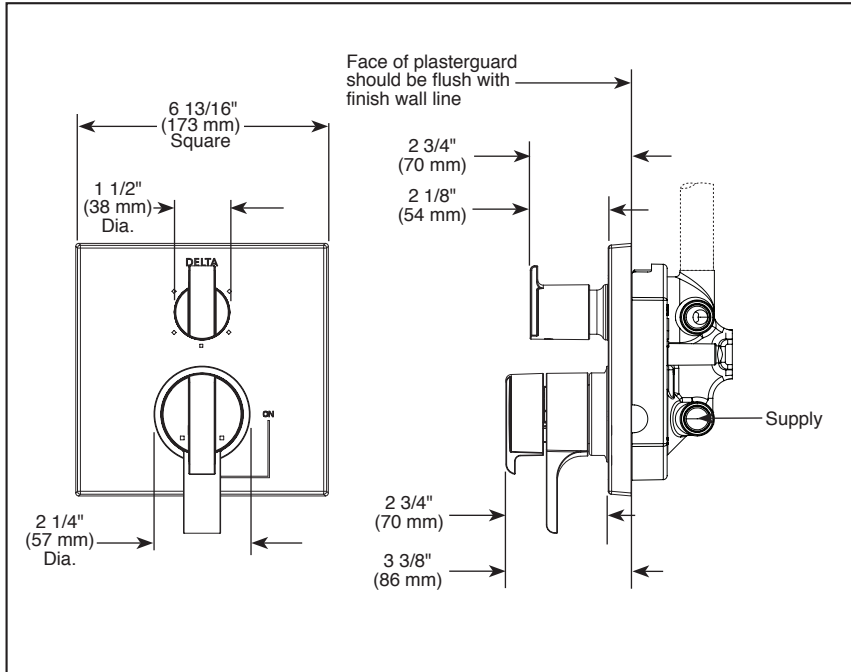
Delta T27867-SS

**Brilliance Stainless Ara 17 Series Pressure Balanced Valve Trim
with Integrated Volume Control and 3 Function Diverter for Two
Shower Applications - Less Rough-In**



Submitted Model No.: _____

Specific Features: _____



▲ Designate Proper Finish Suffix



**INTEGRATED SHOWER
DIVERTER TRIM**

- Angular Modern Valve Trim with Three Function Diverter (T27867)
- Angular Modern Valve Trim with Six Function Diverter (T27967)
- Three Lever Handles

FEATURES:

- Monitor® 17 Series pressure balanced dual function bath mixing valve trim
- Three or six function diverter

STANDARD SPECIFICATIONS:

- Main control utilizes dual-function pressure balanced cartridge
- Maintains a balanced pressure of hot and cold water even when a valve is turned on or off elsewhere in the system
- For use with MultiChoice® Universal rough valve body (R22000 Series)
- Top handle controls diverter functions
- Bottom handle controls on/off and adjusts volume; dial controls temperature
- Field adjustable to limit handle rotation into hot water zone
- Bottom handle 90° Maximum rotation
- Red/Blue indicator markings
- Three function diverter for 2 individual positions, 1 shared position
- For two individual functions, no shared functions, order additional RP71718
- Six function diverter for 3 individual positions, 3 shared positions
- For three individual functions, no shared functions, order additional RP71718
- Cartridges included
- Standard installation allows up to 1 1/8" finished wall thickness
- Thick wall installation kit (RP90543▲) can be ordered to allow for up to 2 1/8" finished wall thickness
- Not recommended for tub spout applications

WARRANTY

- Lifetime limited warranty on parts (other than electronic parts and batteries) and finishes: or, for commercial users, for 5 years from date of purchase.
- 5 year limited warranty on electronic parts (other than batteries); or, for commercial users, for 1 year from the date of purchase. No warranty is provided on batteries.

COMPLIES WITH:

- ASME A112.18.1 / CSA B125.1
- Indicates compliance to ICC/ANSI A117.1

Maximum Flow Rate Guide

Rough	Cartridge	Outlet	40 psi	60 psi	80 psi
R22000	17S	Shower	4.7 gpm	5.8 gpm	6.7 gpm
R22000-WS	17S	Shower	4.4 gpm	5.4 gpm	6.3 gpm

Based on 6 Setting Diverter



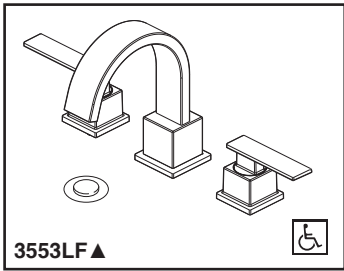
55 E 11th Street, Indianapolis, Indiana 46280
350 South Edgeware Road, St. Thomas, ON N5P 4L1
© 2016 Masco Corporation of Indiana

Delta reserves the right (1) to make changes in specifications and materials, and (2) to change or discontinue models, both without notice or obligation. Dimensions are for reference only. See current full-line price book or www.deltafaucet.com for finish options and product availability.

Specification Sheet for Product:

Delta 3553LF-SS

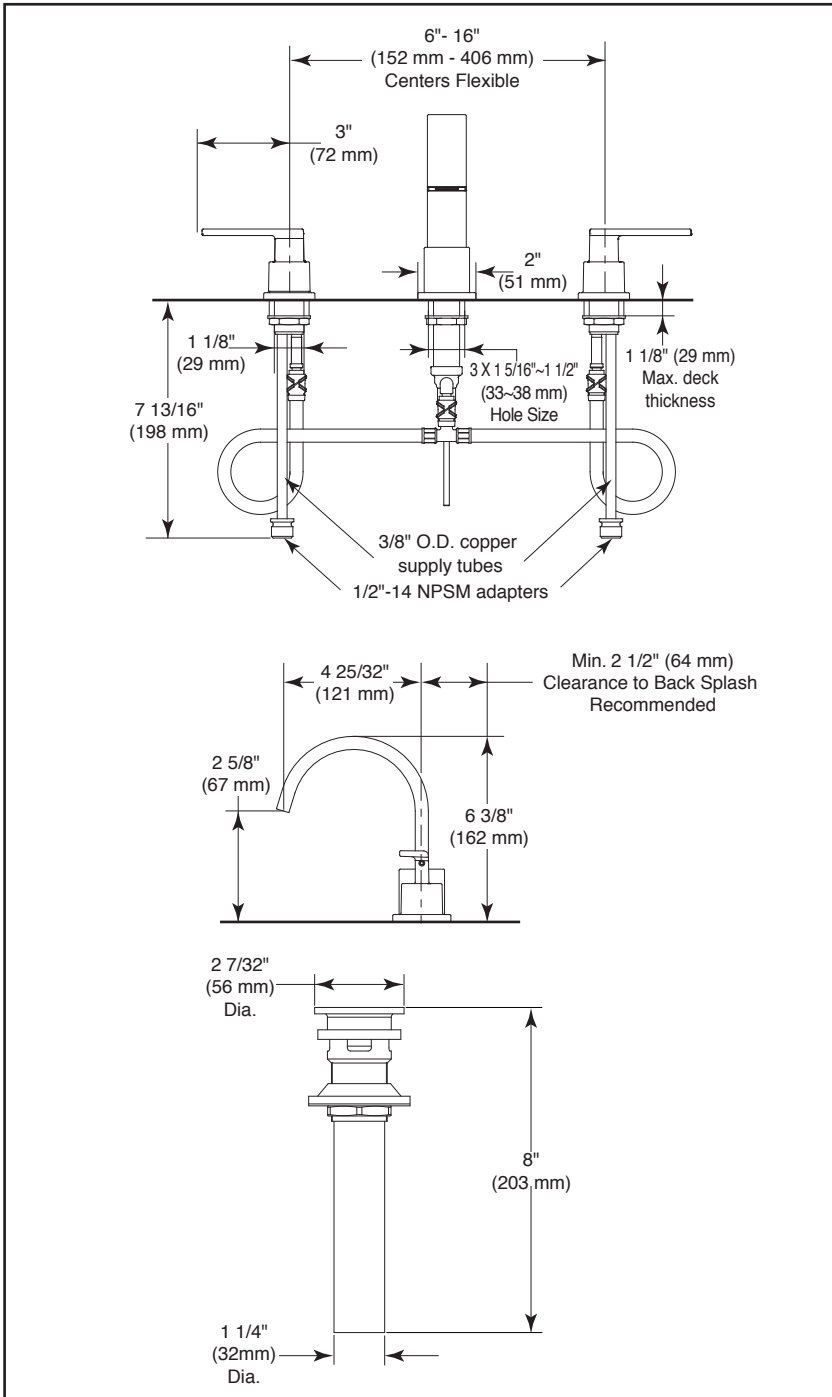
**Brilliance Stainless Vero Widespread Bathroom Faucet with
Pop-Up Drain Assembly - Includes Lifetime Warranty**



3553LF ▲

Submitted Model No.: _____

Specific Features: _____



▲ Designate proper finish suffix

Delta reserves the right (1) to make changes in specifications and materials, and (2) to change or discontinue models, both without notice or obligation. Dimensions are for reference only. See current full-line price book or www.deltafaucet.com for finish options and product availability.

DSP-L-3553LF Rev. D



LAVATORY FAUCETS

- Vero® Bath Collection
- Two Handle Widespread Deck Mount
- 3 Hole Sink Applications
- 6" to 16" Centers

STANDARD SPECIFICATIONS

- Maximum flow rate 1.5 gpm @ 60 PSI, 5.7 L/min @ 414 kPa.
- Solid brass fabricated end bodies.
- Widespread - 6" (152mm) to 16" (406 mm) centers.
- 4 25/32" (121 mm) long, 6 3/8" (162 mm) high, rigid spout.
- 1/4 turn handle stops
- Hot and cold stems are interchangeable.
- 3/8" O.D. copper supply tubes with 1/2"-14 NPSM adapters.
- Control mechanism is a rotating cylinder type with stainless steel plate and 90°rotating, with replaceable non-metallic seats.
- Models have metal drain with push pop-up type fitting with plated flange and stopper.

WARRANTY

- Lifetime limited warranty on parts (other than electronic parts and batteries) and finishes; or for commercial users, for 5 years from the date of purchase.
- 5 year limited warranty on electronic parts (other than batteries); or for commercial users, for 1 year from the date of purchase. No warranty is provided on batteries.



COMPLIES WITH:

- ASME A112.18.1 / CSA B125.1
- ASME A112.18.2 / CSA B125.2
- ♿ Indicates compliance to ICC/ANSI A117.1
- EPA WaterSense®
- Verified compliant with 0.25% weighted average Pb content regulations.



55 E. 111th Street, Indianapolis, Indiana 46280
350 South Edgeware Road, St. Thomas, Ontario Canada N5P 4L1
© 2015 Masco Corporation of Indiana

Specification Sheet for Product:

Kohler K-99010-NA

**N/A Verdera 40"w x 30"h Triple Door Medicine Cabinet with Triple
Mirror Design**

Features

- Rust-free anodized aluminum cabinet box and doors.
- For recessed or surface-mount installation.
- Requires K-99012 side mirror kit (sold separately) for surface mount installation.
- Triple doors with full-overlay mirrors.
- Reversible left-hand or right-hand door hinge option.
- Nine adjustable glass shelves
- 110° door swing with self-closing hinges
- Triple-mirror design - front of doors, back of doors, and interior back of cabinet.
- Hang-and-secure mounting system for easier surface-mount installation.
- 40" (1016 mm) width x 30" (762 mm) height x 4-3/4" (121 mm) depth

Required Accessories

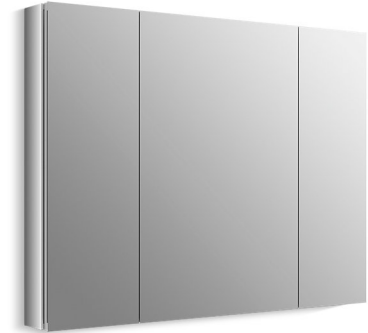
K-99675 Medicine Cabinet Side Kit

Recommended Accessories

K-99662-40 Medicine Cabinet Surround
K-99661-15 Medicine Cabinet Surround
K-99661-24 Medicine Cabinet Surround
K-99661-40 Medicine Cabinet Surround
K-99663-40 Medicine Cabinet Surround

Optional Accessories

K-99012 Side Mirror Kit

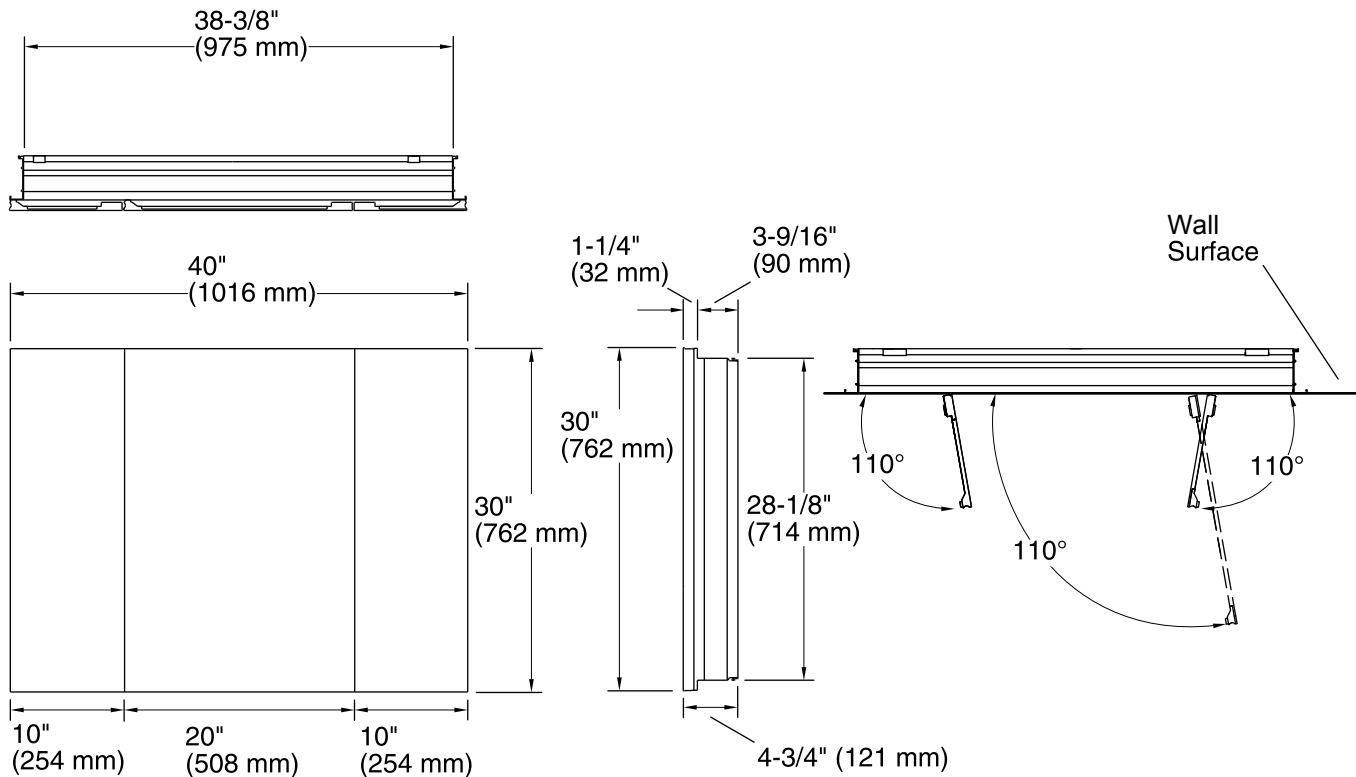


Codes/Standards

None Applicable

KOHLER® One-Year Limited Warranty

See website for detailed warranty information.



Technical Information

All product dimensions are nominal.

Notes

Install this product according to the installation guide.

Cutout for recess-mount installation: 38-1/2" (978 mm) width x 28-1/4" (718 mm) height x 3-11/16" (94 mm) depth

IMPORTANT! For recess mounting, the wall cavity must be framed and cabinet secured to framing studs. Reroute any electrical wires or water supply piping from the wall cavity. If you encounter drain or vent piping, or if your wall is load-bearing, consult a professional before proceeding.

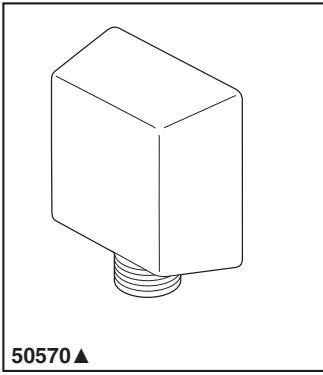
CAUTION: Risk of property damage. For surface mounting, use anchors (not provided) rated for the loaded weight of this product. Refer to the anchor manufacturer's instructions.

When determining the height of the cabinet, ensure the mirrored door will clear all obstacles (such as a faucet). A minimum distance of 3" (76 mm) is required.

Specification Sheet for Product:

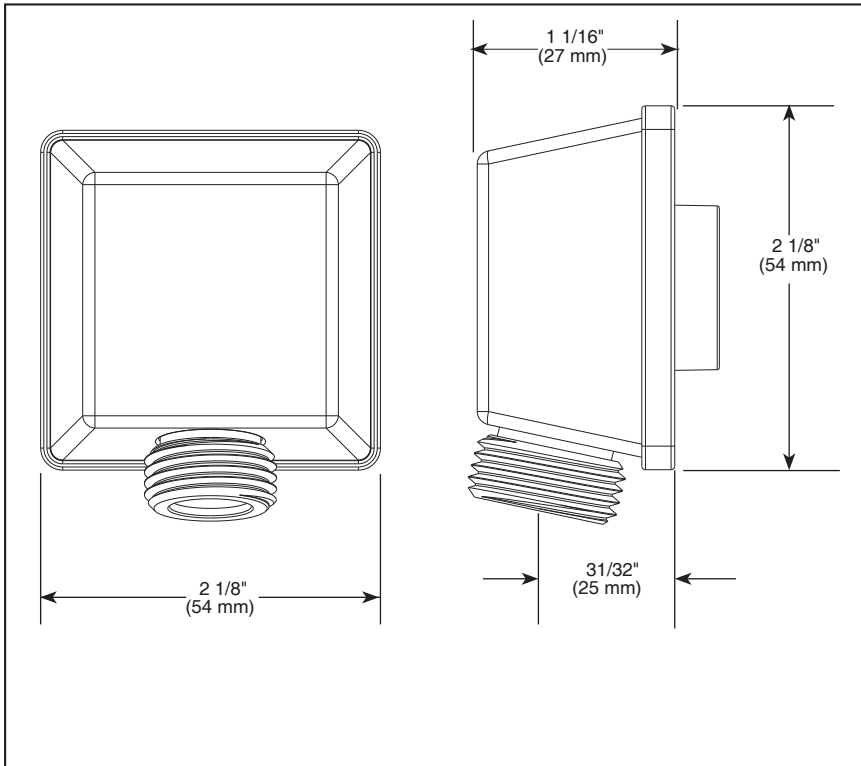
Delta 50570-SS

**Brilliance Stainless Square Wall Supply Elbow for Hand Shower
Hose Connection**



Submitted Model No.: _____

Specific Features: _____



▲ Designate proper finish suffix



ELBOW

STANDARD SPECIFICATIONS

- Solid brass construction.
- 1/2" female NPT inlet.
- 1/2" male NPSM outlet for connecting to shower hoses.

WARRANTY

- Lifetime Faucet and Finish Limited Warranty to the original consumer purchaser to be free from defects in material and workmanship.
- 5 Year Limited Warranty for usage in all industrial, commercial and business applications.

COMPLIES WITH:

- ASME A112.18.1 / CSA B125.1

Delta reserves the right (1) to make changes in specifications and materials, and (2) to change or discontinue models, both without notice or obligation. Dimensions are for reference only. See current full-line price book or www.specselect.com for finish options and product availability.

DSP-B-50570 Rev. A

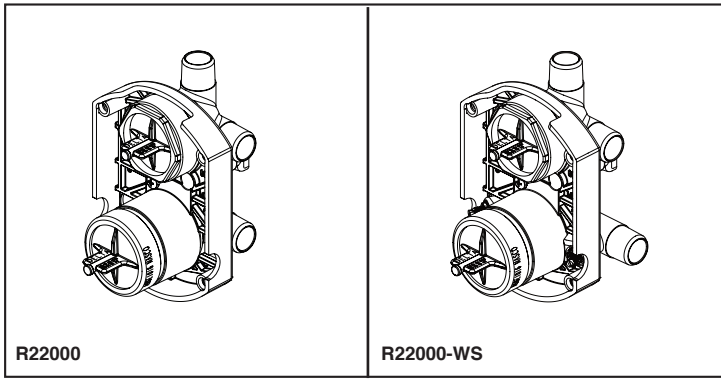


55 E. 111th Street, Indianapolis, Indiana 46280
 350 South Edgeware Road, St. Thomas, ON N5P 4L1
 © 2012 Masco Corporation of Indiana

Specification Sheet for Product:

Delta R22000-WS

**N/A Multichoice Shower Only Universal Rough In with Three Port
Diverter and Stops - No Tub Outlet**

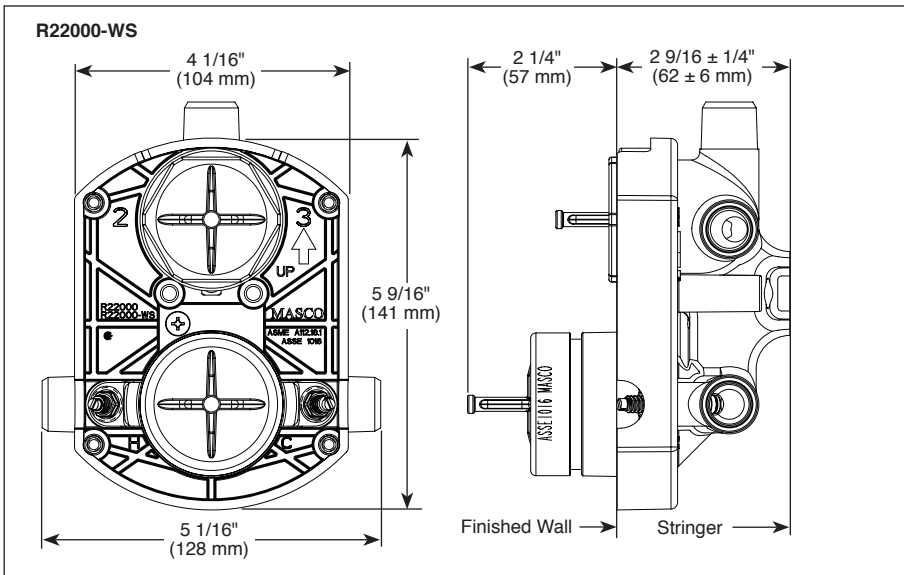
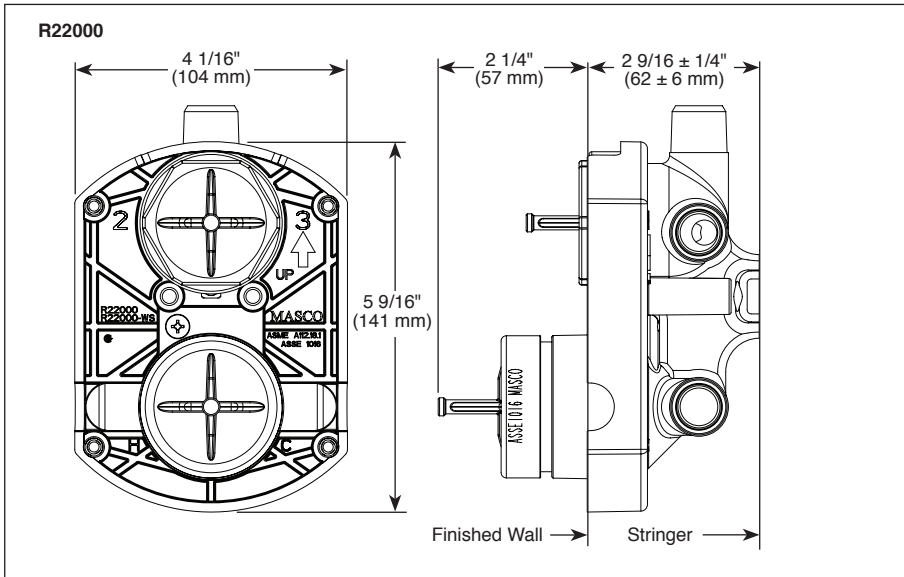


R22000

R22000-WS

Submitted Model No.: _____

Specific Features: _____



MULTICHOICE[®] UNIVERSAL INTEGRATED SHOWER DIVERTER ROUGH

- R22000 (Shower Only)
- R22000-WS (Shower Only with Stops)

STANDARD SPECIFICATIONS:

- Forged brass body
 - Back-to-Back installation capabilities
 - Three port diverter.
 - Can be tested with air (200 PSI) or water (300 PSI) without valve using supplied test cap
 - Accepts Delta (3) three or (6) six function diverter cartridges plus all MultiChoice[®] cartridges.
 - Plug provided for 3 setting diverter installation.
 - Cartridges ship with trim
 - Non-shared diverter cartridges also available (RP71717 and RP71718)
 - 1/2" outlets and connections
 - Universal type fitting and is 1/2" NPT male thread with 1/2" C.W.T. female sweat
 - Sweat onto 1/2" C.W.T. or accepts 1/2" iron pipe, PEX or CPVC adapters
 - Standard installation accommodates finished wall thickness up to 1 1/8"
 - Thick wall installation kits can be ordered to allow for up to 2 1/8" finish wall thickness (order by valve type).
 - 14 Series Monitor[®] with Diverter Trim Extension Kit available (RP90542▲)
 - 17 Series Monitor[®] with Diverter Trim Extension Kit available (RP90543▲)
 - TempAssure[®] Thermostatic with Diverter Extension Kit available (RP90544▲)
 - Not recommended for tub spout applications
- Note: No tub outlet
- Note: Should use proper fitting with each type (copper tubing, iron pipe, and pex fitting)

WARRANTY

- Lifetime limited warranty on parts (other than electronic parts and batteries) and finishes: or, for commercial users, for 5 years from date of purchase.
- 5 year limited warranty on electronic parts (other than batteries); or, for commercial users, for 1 year from the date of purchase. No warranty is provided on batteries.

COMPLIES WITH:

- ASME A112.18.1 / CSA B125.1

Maximum Flow Rate Guide					
Rough	Cartridge	Outlet	40 psi	60 psi	80 psi
R22000	13/14S	Shower	4.1 gpm	5.0 gpm	5.8 gpm
	17S	Shower	4.7 gpm	5.8 gpm	6.7 gpm
	17T	Shower	5.9 gpm	7.2 gpm	8.3 gpm
R22000-WS	13/14S	Shower	3.9 gpm	4.8 gpm	5.6 gpm
	17S	Shower	4.4 gpm	5.4 gpm	6.3 gpm
	17T	Shower	5.3 gpm	6.5 gpm	7.4 gpm

Based on 6 Setting Diverter



55 E. 111th Street, Indianapolis, Indiana 46280
350 South Edgeware Road, St. Thomas, ON N5P 4L1
© 2016 Masco Corporation of Indiana

Delta reserves the right (1) to make changes in specifications and materials, and (2) to change or discontinue models, both without notice or obligation. Dimensions are for reference only. See current full-line price book or www.deltafaucet.com for finish options and product availability.